

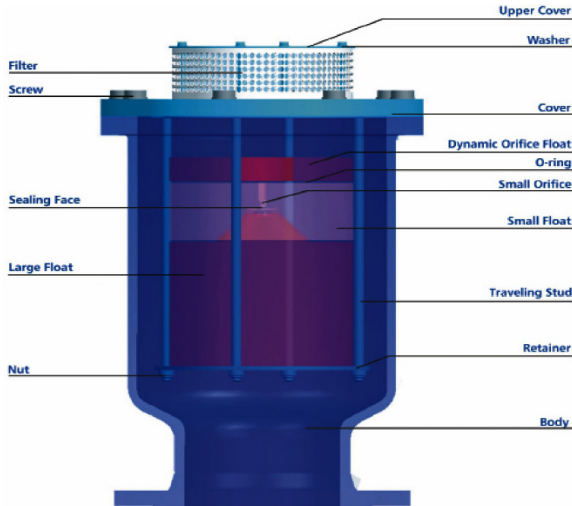


BIMEX
 5 Am Duerf
 L - 9637 Bockholtz
 Grand Duchy of Luxemburg

Tel.: +352 899 477
 Fax.: +352 899 478
 email : bimexlux@pt.lu

08.400

AIR VALVE TRIPLE FUNCTION ANTI-HAMMER
VENTOUSE TRIPLE FONCTION ANTI-BELIER

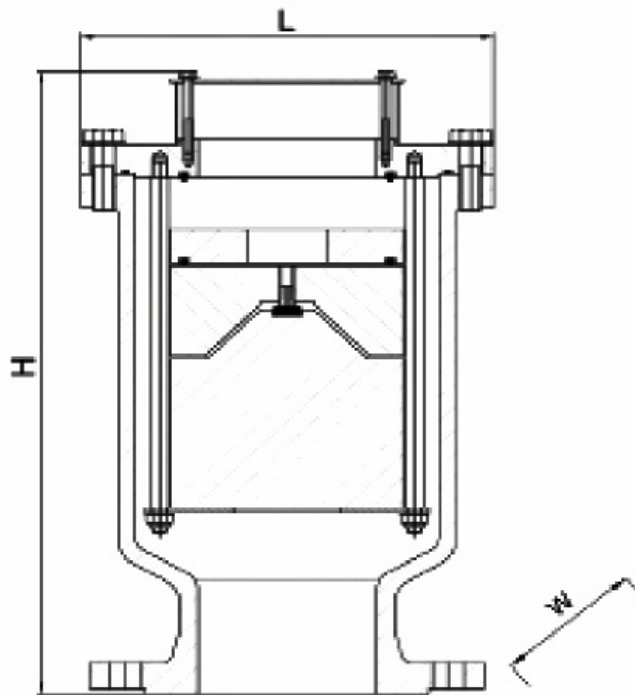


Working pressure Pression de service PN 10/16/25/40 NP

Flange/Bride EN 1092-2

DESCRIPTION	MATERIAL
BODY	DUCTILE CAST IRON GGG 40 (EN-GJS-400-15)
COVER	DUCTILE CAST IRON GGG 40 (EN-GJS-400-15)
UPPER COVER	DUCTILE CAST IRON GGG 40 (EN-GJS-400-15)
TRAVELING STUD	STAINLESS STEEL AISI 304
DYNAMIC ORIFICE FLOAT	POLYPROPYLENE
SMALL FLOAT	POLYPROPYLENE
LARGE FLOAT	POLYPROPYLENE
SMALL ORIFICE	STAINLESS STEEL AISI 304
SEALING	EPDM
NUT	STAINLESS STEEL AISI 304
RETAINER	STAINLESS STEEL AISI 304
WASHER	GALVANIZED STEEL 8.8
SCREW	GALVANIZED STEEL 8.8
FILTER	STAINLESS STEEL AISI 304
O-RING	NITRIL

DESCRIPTION	MATERIEL
CORPS	FONTE DUCTILE GS 400 (EN-GJS-400-15)
COUVERCLE	FONTE DUCTILE GS 400 (EN-GJS-400-15)
COUVERCLE SUPERIEUR	FONTE DUCTILE GS 400 (EN-GJS-400-15)
TIRANTS DE GUIDAGE	ACIER INOX AISI 304
ORIFICE DU FLOTTEUR DYNAMIQUE	POLYPROPYLENE
PETIT FLOTTEUR	POLYPROPYLENE
GROS FLOTTEUR	POLYPROPYLENE
PETIT ORIFICE	ACIER INOX AISI 304
ETANCHEITE	EPDM
ECROU	ACIER INOX AISI 304
RONDELLE DE RETENUE	ACIER INOX AISI 304
RONDELLE	ACIER GALVANISE 8.8
VIS	ACIER GALVANISE 8.8
FILTRE	ACIER INOX AISI 304
JOINT TORIQUE	NITRILE



<i>ND</i>	<i>NP</i>	<i>H</i>	<i>W</i>	<i>L</i>	<i>Weight</i>
<i>DN</i>	<i>PN</i>				<i>Poids</i>

<i>mm</i>	<i>bar</i>	<i>mm</i>	<i>mm</i>	<i>mm</i>	<i>kg</i>
25	10	205	115	105	8
50	10	280	165	155	11
80	10	330	200	200	37
100	10	380	220	230	38
150	10	490	285	310	40
200	10	580	340	420	90
25	16	205	115	105	8
50	16	280	165	155	11
80	16	330	200	200	37
100	16	380	220	230	38
150	16	490	285	310	40
200	16	580	340	420	90
25	25	205	115	105	8
50	25	280	165	155	11
80	25	330	200	200	37
100	25	380	235	230	40
150	25	490	300	310	43
200	25	580	360	420	96
25	40	205	115	105	8
50	40	280	165	155	11
80	40	330	200	200	37
100	40	380	235	230	40
150	40	490	300	310	43
200	40	580	375	420	96